

Business Plus Calling Plans

\$149 5K Minute Plan

With the Vonage 5K Minute Plan, you get 4 phone numbers and 5,000 minutes per month to make calls anywhere in the US, Canada and Puerto Rico for the low price of \$149 a month. Each additional minute is only 3.5¢.

\$299 12K Minute Plan

With the Vonage 12K Minute Plan, you get 8 phone numbers and 12,000 minutes per month to make calls anywhere in the US, Canada and Puerto Rico for the low price of \$299 a month. Each additional minute is only 3.5¢.

\$599 25K Minute Plan

With the Vonage 25K Minute Plan, you get 16 phone numbers and 25,000 minutes per month to make calls anywhere in the US, Canada and Puerto Rico for the low price of \$599 a month. Each additional minute is only 3¢.

\$999 50K Minute Plan

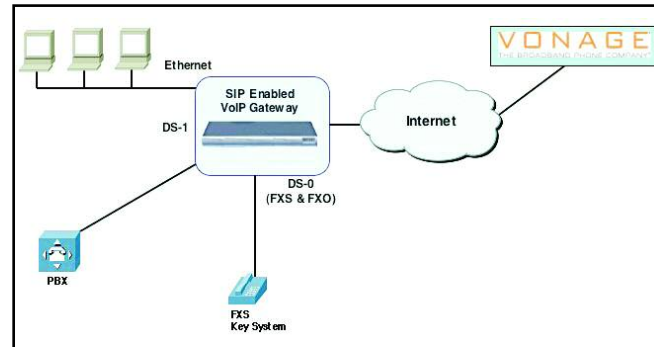
With the Vonage 50K Minute Plan, you get 24 phone numbers and 50,000 minutes per month to make calls anywhere in the US, Canada and Puerto Rico for the low price of \$999 a month. Each additional minute is only 2¢.



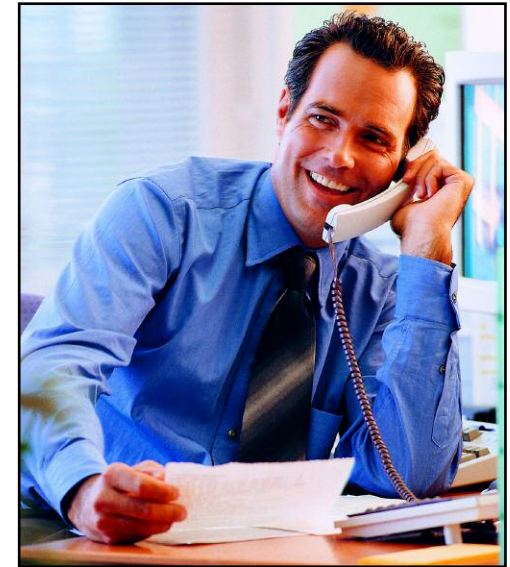
How Vonage Business Plus Works

Vonage is an all inclusive phone service which you can utilize with your own SIP (Session Initiation Protocol) enabled VoIP (Voice over IP) equipment. Do you have a PBX, or an IP-PBX? If so, you are ready to start saving with Vonage! Vonage certified resellers can provide you any needed hardware and/or installation. Sign up for Vonage Business Plus and start saving today!

- Connect your VoIP gateway to your existing PBX
- Utilize a new IP/PBX or IP phones with your Vonage service



VONAGE
THE BROADBAND PHONE COMPANY®



Vonage Business Plus

Small Business Multi-line Solutions

VONAGE
THE BROADBAND PHONE COMPANY®

Replace your current phone company with Vonage and start saving today!

www.vonage.com

Use the power of broadband to save money using Vonage Business Plus!

Features You Deserve

Free calling features with every Vonage Business Plus plan:

- All Vonage to Vonage calls are free
- Area code selection
- No charge on incoming calls
- Online account management
- Voicemail
- Caller ID
- Call hunt
- 3-way calling
- Call forwarding
- Call waiting
- Call Transfer
- Caller ID block (*67)
- Call return (*69)
- International call block
- Plus many more...



Virtual Phone Numbers

A Virtual Phone Number is an inexpensive secondary number that rings to your primary Vonage line.



- 1) Let's say you work out of NY and your Vonage primary number is in area code 718
- 2) You have business associates in LA which is in the 323 area code
- 3) You can get a secondary virtual phone number in area code 323 that rings to your 718 line
- 4) Now your business associates do not have to pay long distance charges when they call you.

Vonage Toll Free Plus

For only \$4.99 per month you can add a Vonage Toll Free number to your account. The first 100 incoming minutes are included free, every month and each additional minute is only 4.9 cents. Your Toll Free Plus number will ring on any of your Vonage lines.

Vonage Account Management

With Vonage Free Real-Time Online Account Management, you're in control of your account. Access your account 24/7 to check call activity, billing, manage voicemail, and edit your user information for all your Vonage lines. And because it's available in real-time, you get the most accurate and up-to-date information.

Vonage SoftPhone

Have workers who telecommute? Vonage SoftPhone is a screen-based interface that works just like your telephone keypad. You can make a call, receive a call, and pick up your voicemail too. And because it's Vonage, you get the extras that you've come to expect, like Caller ID, Call Forwarding, and more. The Vonage SoftPhone is compatible with any PC or Mac with speakers and a microphone*.



*Restrictions may apply

*Vonage recommends using a headset with the SoftPhone.